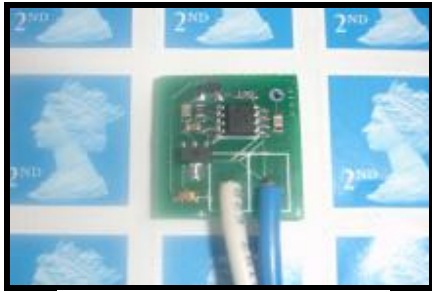
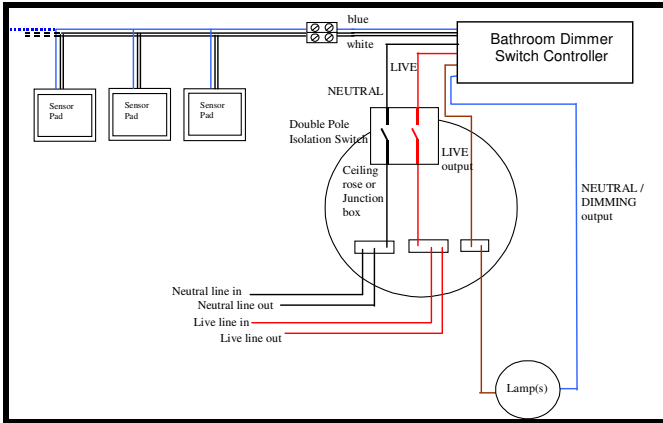


Wiring Layout



Sensor Pad

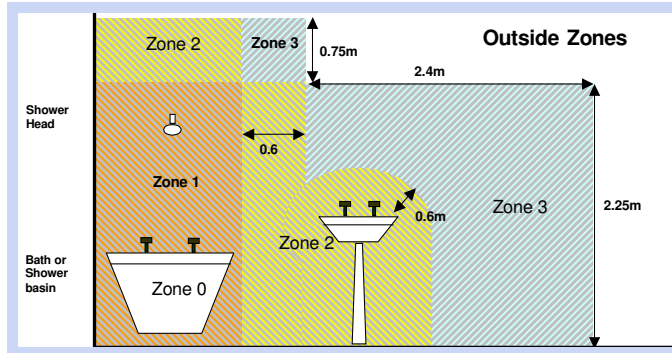
Specifications:-

Operating voltage	220 – 240 vac ~ 50Hz <i>(versions for 110vac are also available)</i>
Sensor Pad voltage	≈ 5 vdc
Controller switching capacity	500 Watts
Controller dimming capacity	350 Watts
Max ambient temperature	35° C.
Controller Dimensions	140x 56 x 32mm
Bathroom Sensor Pad PCB dims.	22.5 x 18.5 x 4 mm

Ask about our **“Nursery Switch”**, which delays switch-off for an extended period whilst gently dimming down to switch-off.

~If in doubt ~ please call us; and remember ~ **ELECTRICITY IS DANGEROUS** ~ Please switch off power at the distribution box before carrying out any electrical work !

Bathroom Zones:



The **Bathroom Switch** can be used in any zone except Zone 0, whereas standard light switches/dimmers should not be used within a bathroom.



Sensorbility Ltd
 West Prawle House
 East Portlemouth
 Salcombe
 Phone: 01548 511498
 Fax: 01548 511393
 Email: lights@sensor.co.uk

Distributed by:-

With thanks to Mike and Louise for the use of their hands, and Brian for his product input!
 We reserve the right to make changes to our products and their specifications without notice

Sensorbility

Bringing Sense to Lighting

The Bathroom Switch

Switching, Dimming and Time-Delay versions



Switch or Dim Bathroom Lighting by simply touching a tile

The Bathroom Switch

The *NEW Bathroom Switch* follows our popular *Bathroom Switch* controller and is a new concept in "one", "two" (or more) way light switch operation, it consists of a small controller housing that can be hidden in the ceiling cavity, either behind the light rose or adjacent to a relevant junction box, allied to satellite *Sensor Pads*. These *Sensor Pads* can be adhered to the rear of most materials such as glass, plastic, ceramic tiles, metal and wood; and project a proximity sensing field through the material.

The *Sensor Pads* themselves operate on only 5volts DC, and can utilize existing cabling. Only 2 wires per switch are used. The PCB of the *Sensor Pad* is no bigger than a postage stamp so the switching sites can be very un-obtrusive if necessary. This means that the cabling within the walls is only carrying this low voltage and is therefore very safe. Up-to 6 *Sensor Pads* can be used to operate each controller and there is the provision to include an additional conventional switch in the circuit. (see separate installation instructions).



The *Bathroom Switch* circuit uses a relay that is contained within the controller housing to operate the switching function.. Operating the *Bathroom Switch* is simple: Touch your chosen faceplate (tile etc.) and the lights will turn on. Touch again to switch off.

The Bathroom Dimmer Switch

The New Bathroom Dimmer Switch works in conjunction with Sensor Pads allowing the user to make switches out of most materials such as Ceramic Tiles, Wood, Plastic, Glass, and even Metals, users can create switches in virtually any shape and situation. In Bathrooms our Sensor Pads can even be placed behind tiles reachable from the bath or shower and allow switching and dimming in total safety.



The new Dimmer controller can be activated from up to 6 Sensor Pads, so operating the lights from various places can be achieved easily. The Dimmer Controller should be mounted outside any bathroom zones.

Operating the Bathroom Dimmer Switch is simple: Touch your chosen faceplate (tile etc.) and the lights will turn on at low level, keep touching and the lights will begin to ramp up to full brightness, remove the hand and the lights will stay at the intensity reached. To switch off, touch briefly and the lights will slowly dim back down and switch off. If required, a further touch during this ramp-down will again latch to the intensity reached.

It is also possible to operate an extractor fan at the same time as dimming lighting

The Bathroom Time-Delay Switch

The *Bathroom Timer Switch* controller uses a relay that is contained within the controller housing to operate the switching function. The delay in switch-off can be varied by rotating the internal timer; clockwise increases delay and anti-clockwise decreases delay.

To operate the *Bathroom Timer Switch* simply Touch your chosen faceplate (tile etc.) and the lights will turn on. To switch off, touch briefly and the lights will switch off when the set time has expired. By removing the momentary link the controller will time out without a second touch.

The Bathroom Dimmer Switch with Time Delay

The *Bathroom Dimmer/Timer Switch* circuit uses a relay that is contained within the controller housing to operate the switching function. The delay in switch-off can be varied by rotating the internal timer; clockwise increases delay and anti-clockwise decreases delay. Operating the *Bathroom Dimmer/Timer Switch* is simple: Touch your chosen faceplate (tile etc.) and the lights will turn on at low level, keep touching and the lights will begin to ramp up to full brightness, remove the hand and the lights will stay at the intensity reached. To switch off, touch briefly and the lights will ramp down to off when the set time has expired. If required, a further touch during this ramp-down will again latch to the intensity reached. By removing the momentary link, the controller will time out without a second touch.